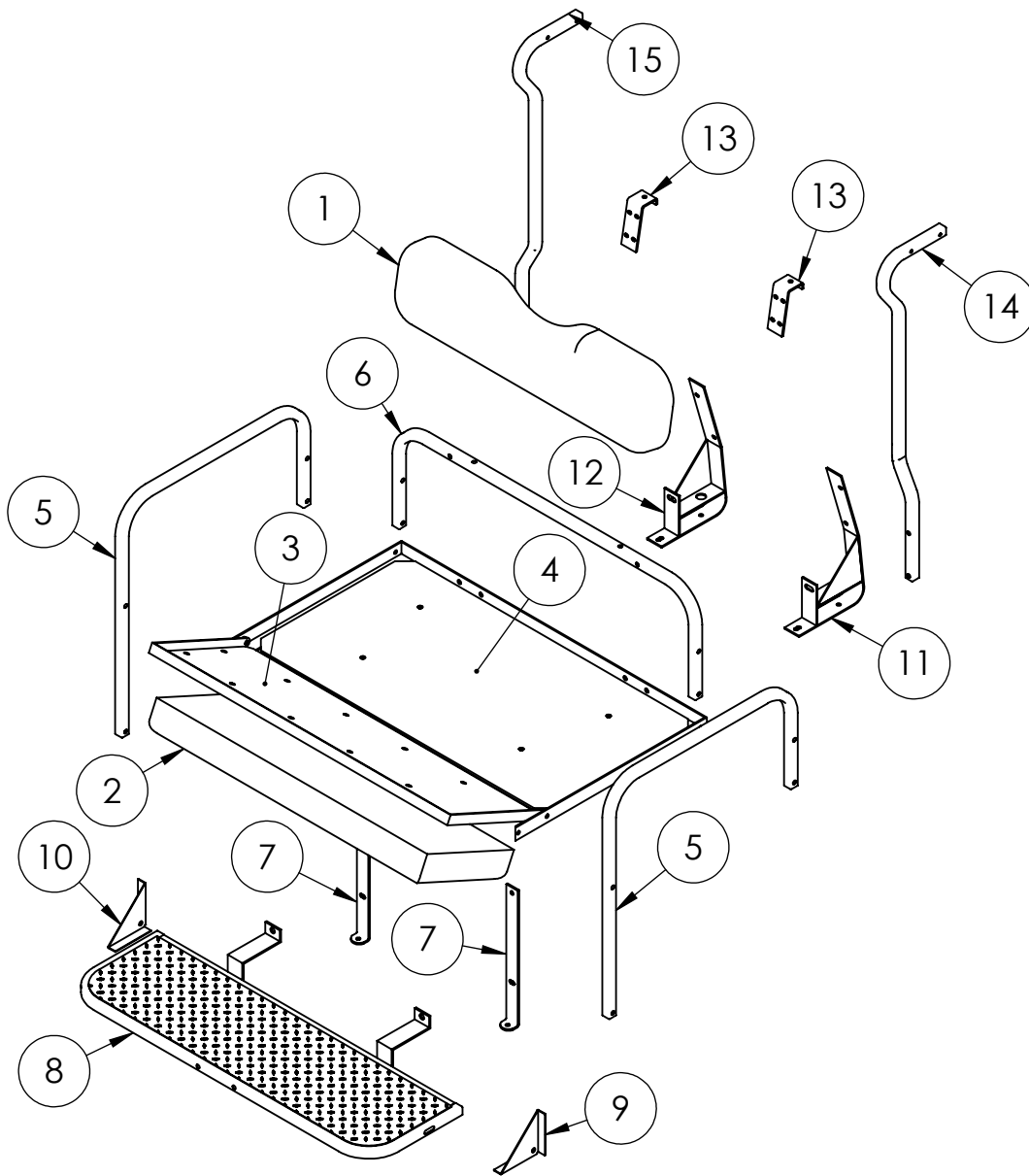


01-023 GENESIS150 REAR FLIP SEAT FOR STAR CART

WARRANTY PARTS EXPLODED VIEW DIAGRAM



ITEM NO.	PART NO.	DESCRIPTION	QTY
1	W01-23-8	Lean Back Cushion-Almond	1
2	W01-23-9	Seat Cushion-Almond	1
3	W01-8-14	Flip Poly Board	1
*4	W01-8-15	Main Poly Board	1
5	W01-23-1	Arm Rest	2
6	W01-8-5	Horizontal Frame Bracket	1
7	W01-23-2	Bagwell Bracket	2
8	W01-23-3	Foot Plate	1
9	W01-8-4	Foot Plate Bracket (Pass)	1
10	W01-8-3	Foot Plate Bracket (Driver)	1

ITEM NO.	PART NO.	DESCRIPTION	QTY
11	W01-23-4	Seat Frame Bracket (Pass)	1
12	W01-23-5	Seat Frame Bracket (Driver)	1
13	W01-8-8	Lean Back Bracket	2
14	W01-23-6	Rear Strut (Pass)	1
15	W01-23-7	Rear Strut (Driver)	1
16	W01-23-10	Hardware Pack	1

*Item#4 - The Warranty Part# is W01-8-17 for the Main Frame w/ Polyboard