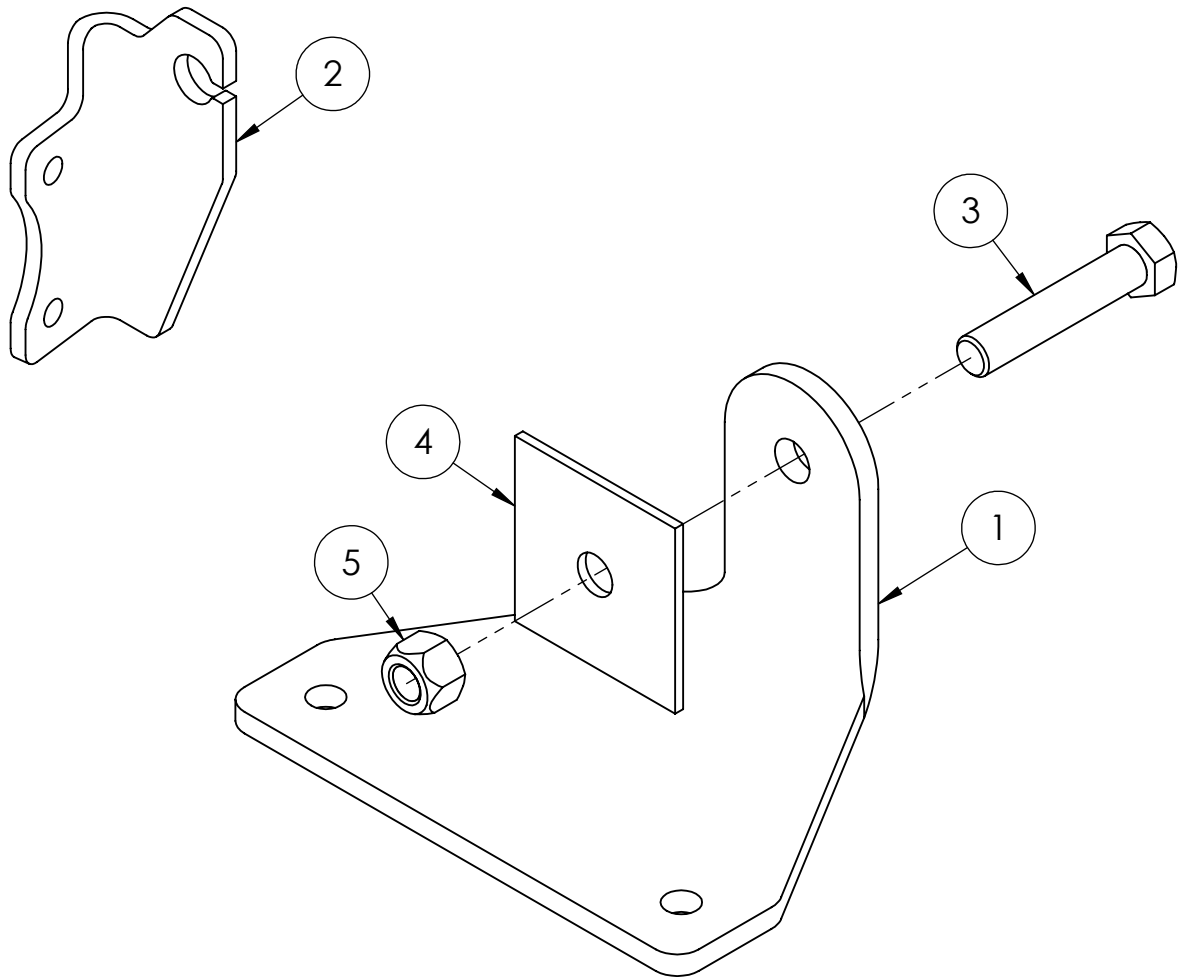


16-017 - 6" RXV Gas Lift Kit

WARRANTY PARTS EXPLODED VIEW DIAGRAM



16-017 - 6" RXV GAS LIFT KIT			
ITEM #	DESCRIPTION	PART #	QTY
1	Motor Mount Bracket	W16-17-1	1
2	Brake Cable Bracket	W16-17-2	1
	Hardware Pack	W16-17-3	1
3	M12x60 Hex Bolt		1
4	Washer Square Plate		1
5	M12 Hex Nut		1