



16-006

4 INCH DROP AXLE LIFT KIT

WILL FIT E-Z-GO® TXT®
INSTALLATION INSTRUCTIONS

INCLUDED:



Main Axle Assembly



2 Rear Lift Blocks



2 Rear Shock
Mounting Plates



Spindle
Extension



2 Spacers



4 U-Bolts

WARNING:

After installing this lift kit, the front wheels must be properly aligned. Failure to properly align the front wheels may result in decreased ability to control the Golf Cart which may result in a rollover or crash.

1

Engage parking brake and chock rear wheels. Raise Golf Cart with lift and use jack stands. Remove front tires, then remove cotter pin, castle nut, and hub. Retain hardware

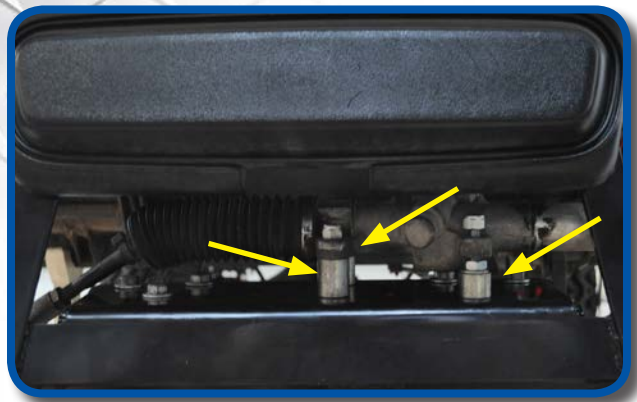
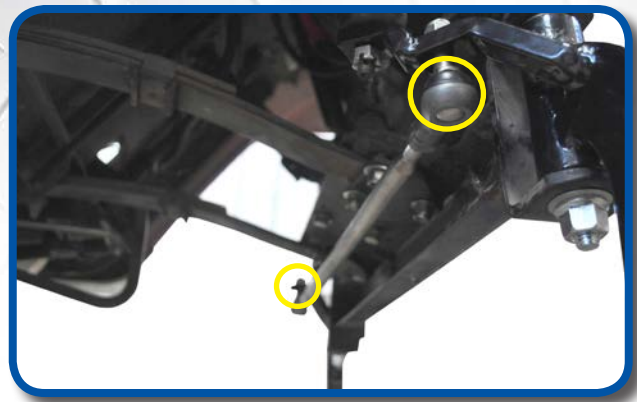


Remove cotter pin from castle nut. Remove castle nut from ball joint and separate ball joint from spindle. and retain.

2

3

Remove nut from tie rod on both sides of cart. Remove tie rod and retain.



Remove three bolts from rack and pinion. Retain Hardware.

4

5

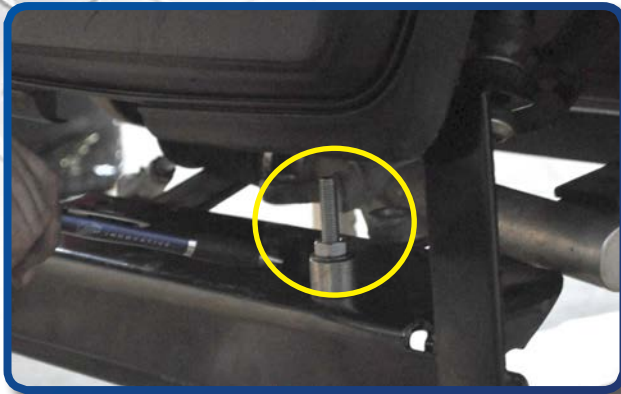
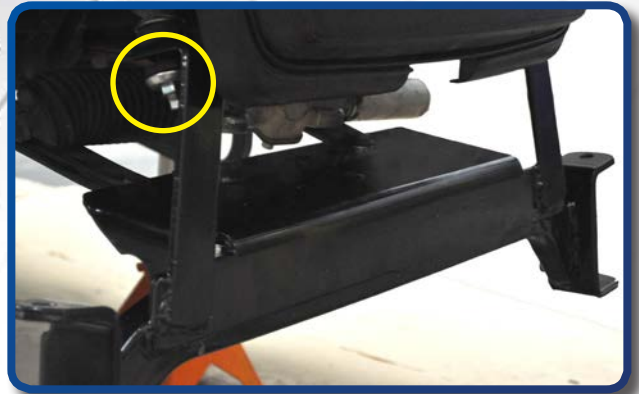
Remove the lower washer, bushing, and nut from shock. Push shock up and out of the way. Retain Hardware.



Remove five bolts from factory axle. Retain shock plates and hardware.

6

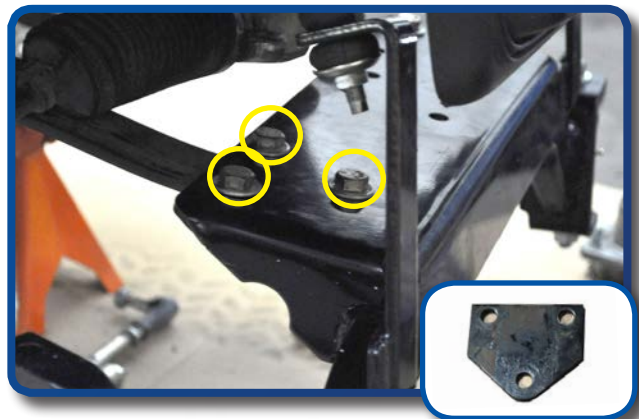
Install Main Axle Assembly on leaf spring. Pull shocks down and attach to Main Axle Assembly to hold in place.



Install front bolt for rack and pinion.

IMPORTANT: For ease of installation, frontmost bolt for rack and pinion must be installed **before** spring plates are reattached.

Attach spring plates to Main Axle Assembly using retained hardware from Step 6. Tighten hardware.



Reattach rack and pinion to Main Axle Assembly using hardware retained from Step 4 and tighten.

11

Reattach spindles using hardware retained from Step 5.

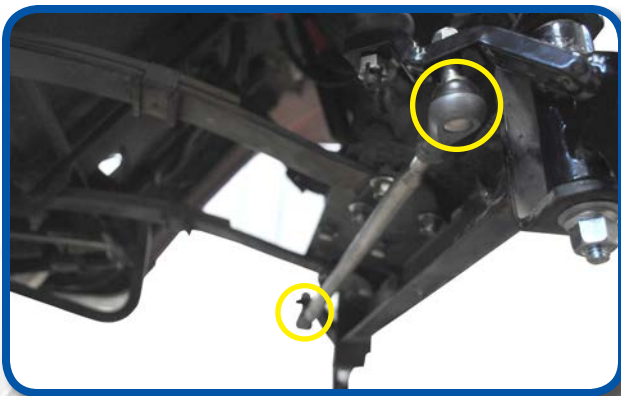


Reattach factory hubs to spindles using hardware retained from Step 1.

12

13

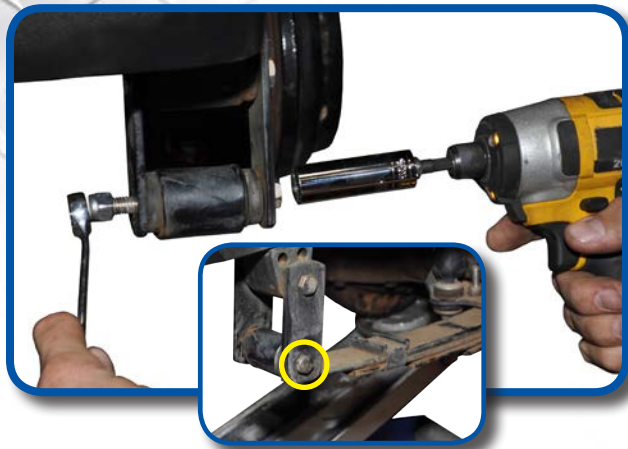
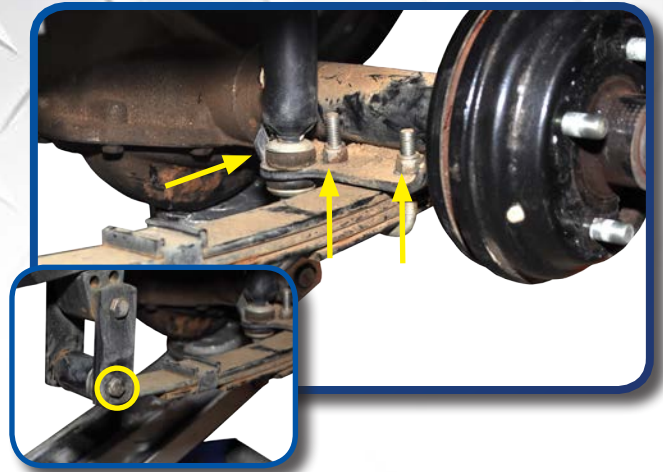
Mount spindle extension using supplied hardware where factory spindle and tie rod previously mounted. Extension should face rear of cart as shown. Attach rack and pinion to top of spindle extension using retained hardware and tighten.



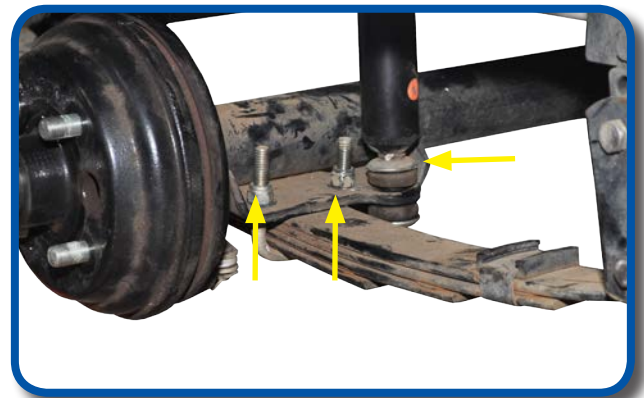
14

Reattach tie rod to spindles as shown.

15
Ensure parking brake is still engaged and chock front wheels. Use jack to support motor. Loosen, but do not remove, the nuts on the shock and the two U-bolts on the passenger side.



16
Move to driver's side of cart. Remove and retain the bolts from the leaf spring on the passenger's side.



17
Leaving jack in place to support motor and axle assembly, remove the spring and U-bolts.



18
Once hardware has been removed, lower axle and then place factory spring above axle as shown and reinstall using factory hardware.

18

For carts with three or four leaf springs, only install rear lift block as shown. The nut on the bottom of the factory spring should align with the alignment hole on the rear block.



20

For carts with two leaf springs or less, install spacer on rear block as shown.

21

Using supplied hardware, attach U-bolts to rear shock mounting plate and factory bracket as shown. Using retained hardware from Step 17 reattach shock. Repeat Steps 18-21 on passenger's side.



ALIGNMENT INSTRUCTIONS

WARNING:

After installing this lift kit, the front wheels must be properly aligned. Failure to properly align the front wheels may result in decreased ability to control the Golf Cart which may result in a rollover or crash.

IMPORTANT: The Toe must be adjusted on this model.

Once installation is complete and the wheels have been reinstalled, roll the cart forward 5-6 feet.

Ensure the wheels are pointing straight forward. To adjust Toe, find a common point to measure from on the inside front and inside rear of the front tires. Adjust until the front measurement is 1/4" to 3/8" greater than the rear measurement.



To adjust toe-in/toe-out, loosen nut on tie rod end (A). Adjust using a wrench to desired alignment.

IMPORTANT: Ensure that after this adjustment, both wheels toe out from the cart's centerline equally.

IMPORTANT: Be sure to retighten all adjustment points after adjustments are made.

Once tightened, roll the cart back 5-6 feet and then forward again to check.

INSTALLATION COMPLETE

VISIT WWW.MYMADJAX.COM FOR MORE INSTALLATION VIDEOS

E-Z-GO®, E-Z-Go® TXT®, and E-Z-Go® RXV® are registered trademarks of Textron Innovations, Inc. ("Textron"). Reference to E-Z-Go®, TXT®, or RXV® or any of Textron's trademarks, word marks, or products is only for purposes of identifying golf carts with which this Madjax product is compatible. Madjax products are aftermarket parts and are not original equipment parts. Madjax is not connected to, affiliated with, sponsored by, or endorsed by Textron or any of its subsidiary companies.