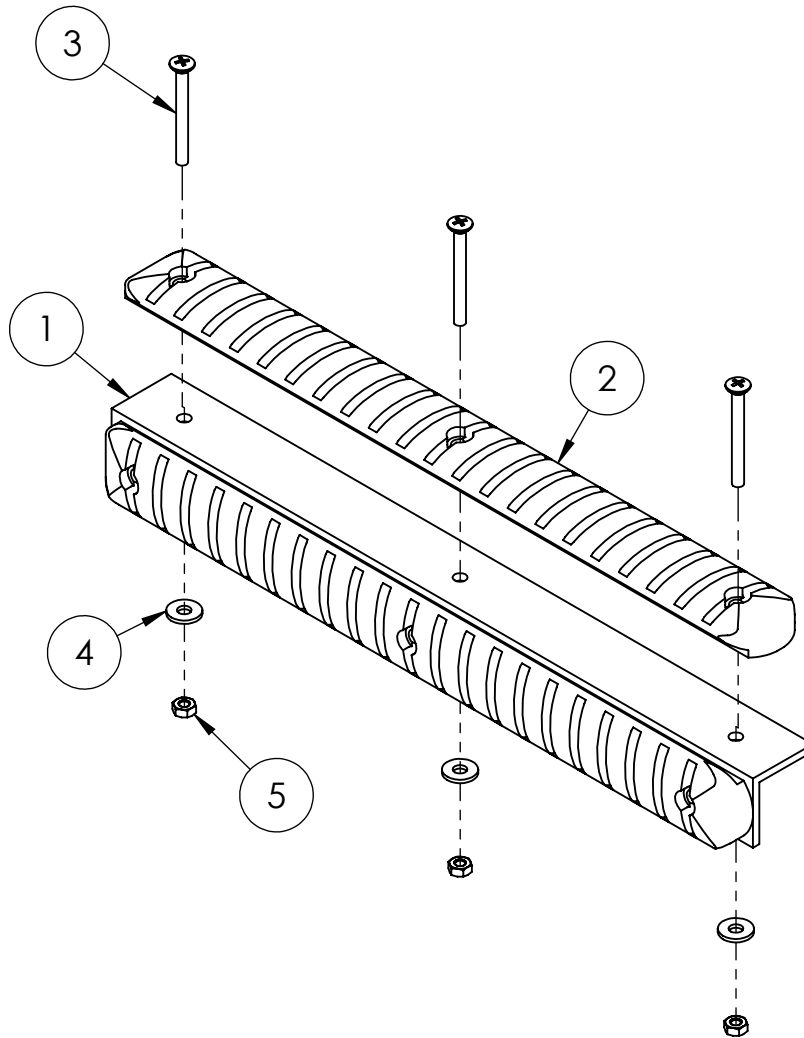


# 01-046 - QUICK MOUNT ACCESSORY SYSTEM

## WARRANTY PARTS EXPLODED VIEW DIAGRAMS



**Two Extra Screws, Washers, & Nuts are Included in Hardware Pack  
for Customers who would like to Install with Extra Support**

01-046 - QUICK MOUNT ACCESSORY SYSTEM			
ITEM NO.	DESCRIPTION	PART NO.	QTY
1	L-Bracket w/ Rail	W01-9-75	1
2	Rail	W01-9-76	1
	Hardware Pack	W01-109	1
3	M4x50 Phillips#2 Screw		5
4	M4 Flat Washer		5
5	M4 Lock Nut		5

Date Revised: 6/8/15