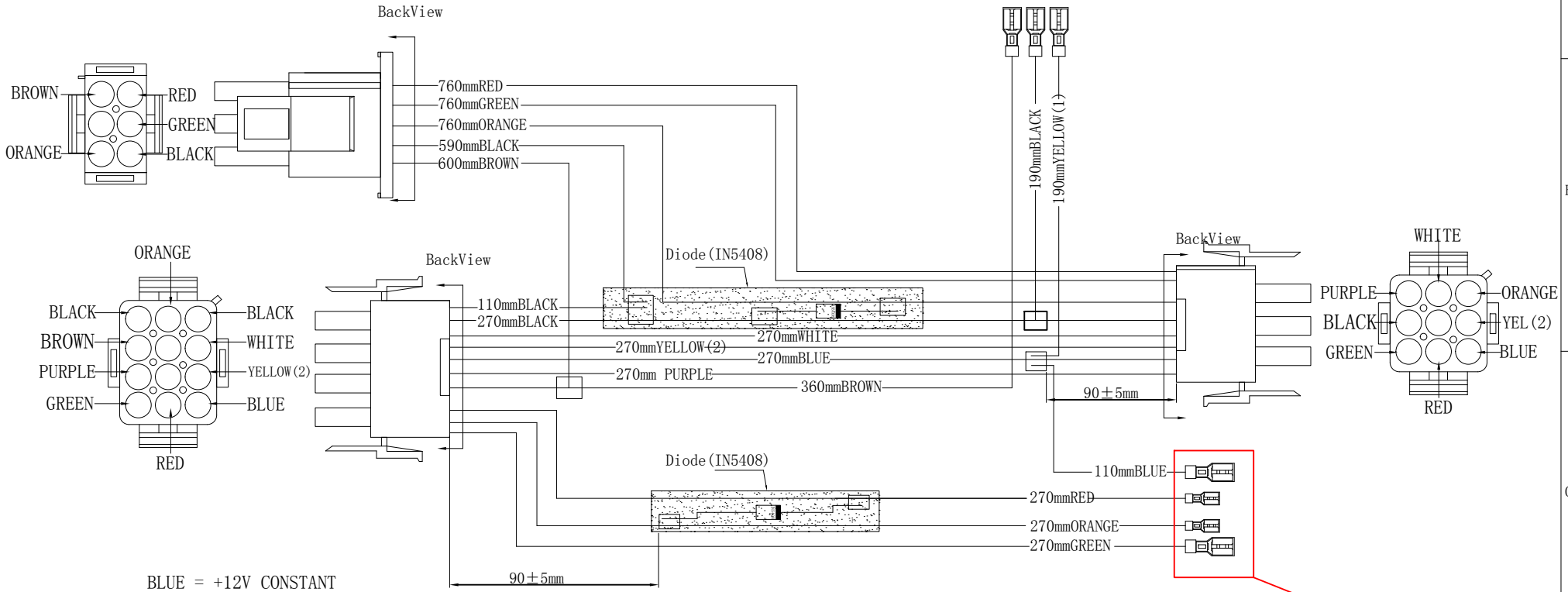


# PRECEDENT MAIN HARNESS



- BLUE = +12V CONSTANT
- YELLOW (1) = +12V
- BLACK = GROUND
- BROWN = SWITCH 12V+
- RED = turn left (front)
- GREEN = turn right (front)
- ORANGE = Speaker
- WHITE = turn left (back)
- YELLOW (2) = turn right (back)
- PURPLE = Stop light

Relay